

PHILCO MODEL TH-5

MODEL TH-5 is a 5 tube superheterodyne receiver covering a frequency range of 540 to 1720 kilocycles and designed for operation on either alternating current (A.C.) or direct current (D.C.) 115 volts.

This model is equipped with 6 electric push-buttons for automatically selecting stations in addition to dial tuning. Five push-buttons are used for the stations and one push button for selecting dial tuning. The push-buttons cover a frequency range as follows:

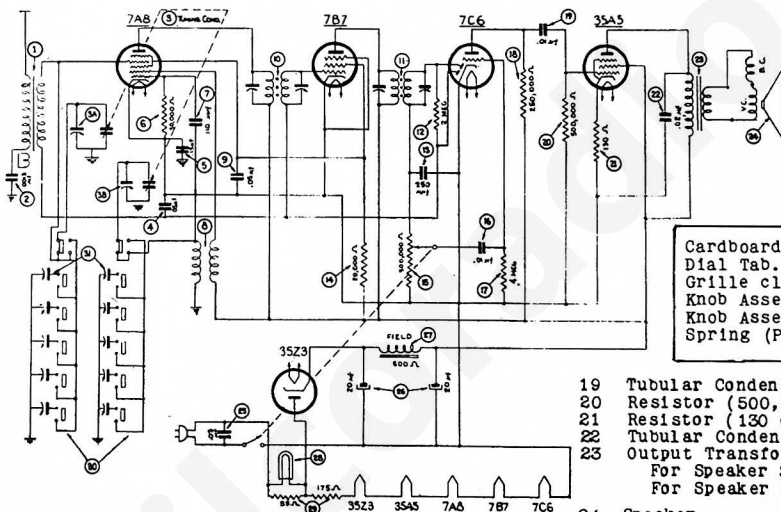
Padders (right to left from rear)	Buttons (left to right from front)	Frequency Range	Padders (right to left from rear)	Buttons (left to right from front)	Frequency Range
1 Ant. Osc.	1	540 to 1030 kilocycles	7 Ant. Osc.	4	900 to 1470 kilocycles
2 Ant. Osc.	2	650 to 1100 kilocycles	8 Ant. Osc.	5	1160 to 1600 kilocycles
3 Ant. Osc.	3	740 to 1240 kilocycles	9 Ant. Osc.	6	Manual
4 Ant. Osc.			10 Ant. Osc.		
5 Ant. Osc.					
6 Ant. Osc.					

The procedure for adjusting and operating the electric push-button tuning is contained on page 1.

An indoor aerial 20 feet in length is attached to the receiver for average receiving conditions; however in apartment houses, hotels or steel re-inforced buildings, the Philco Utility Aerial Part No. 40-6384 is recommended.

The procedure for aligning the compensating condensers of this model will be found on page 3 under General Aligning Instructions.

NOTE: If no sound is heard after connecting the receiver to the power supply and sufficient time has been allowed for the tubes to heat, reverse the electric plug in the outlet. The same procedure should be observed on A.C. power supplies when a slight hum is heard with the volume turned low.



MODEL TH-5T IVORY

Cardboard Back.....	27-9328
Dial Tab.....	27-5528
Grille cloth.....	44-1288
Knob Assembly (Push Button)....	27-4830
Knob Assembly (Tuning & Volume)	27-4810
Spring (Push Button Knobs)....	28-5686

REPLACEMENT PARTS

Schem. No.	Description	Philco Part No.
1	Antenna Transformer.....	32-3188
2	Tubular Condenser (.0015 mf., 200V)	30-4555S
3	Tuning Condenser.....	31-2365
4	Tubular Condenser (.05 mf., 200V.)	30-4519S
5	Tubular Condenser (.15 mf., 400V.)	30-4505S
6	Resistor (50,000 ohms, 1/3 watt)	33-350244
7	Mica Condenser (110 mmf.)	30-1031
8	Oscillator Transformer.....	32-3187
9	Tubular Condenser (.05 mf., 200V)	30-4519S
10	1st I.F. Transformer.....	32-3149
11	2nd I.F. Transformer.....	32-3150
12	Resistor (2 meg., 1/3 watt).....	33-520244
13	Mica Condenser (250 mmf.).....	30-1032
14	Resistor (20,000 ohms, 1/3 watt)	33-320244
15	Volume Control (500,000 ohms)...	33-3306
16	Tubular Condenser (.01 mf., 200V)	30-4479S
17	Resistor (4 meg. 1/3 watt).....	33-540244
18	Resistor (250,000 ohms, 1/3 watt)	33-425244

19	Tubular Condenser (.01 mf., 400V)	30-4572S
20	Resistor (500,000 ohms, 1/3 watt)	33-450244
21	Resistor (130 ohms, 1/2 watt)...	33-11336
22	Tubular Condenser (.02 mf., 400V)	30-4516S
23	Output Transformer	
	For Speaker 36-1469-1.....	32-8047
	For Speaker 36-1469-9.....	32-8044
24	Speaker.....	36-1469
25	Tubular Condenser (.03 mf., 400V.)	30-4449S
26	Electrolytic Condenser (20-20 mf., 150 v).....	30-2382
27	Field Coil-Part of Speaker, PartNo..	36-1469
28	Pilot Lamp.....	34-2068
29	Line Resistor.....	33-3367
30	Push-Button Switch.....	42-1485
31	Padding Condenser Strip.....	31-6293
	Cone Assembly (for Speaker 36-1469-1	36-4115
	Cone Assembly (for Speaker 36-1469-9	36-4113
	Cardboard Back.....	27-9314
	Dial Window.....	27-5472
	Drive Cord Assy.....	31-2368
	Drive Shaft Assy.....	31-2355
	Grille cloth.....	44-1288
	Knob Assembly (Push Button).....	27-4823
	Knob Assembly (Tuning, Volume)....	27-4809
	Padder Strip (Tuning Unit).....	31-6293
	Pilot Lamp socket assembly.....	38-9825
	Pointer.....	27-4891
	Power Cord.....	1-3199
	Push Button Switch.....	42-1485
	Scale.....	27-5553
	Sockets.....	27-6130
	Spring (Drive Cord).....	28-8954